



Installation Instructions

3-in-1 High Chair to Booster™ Model Number P5369 and P6028

WARNING

FALL HAZARD

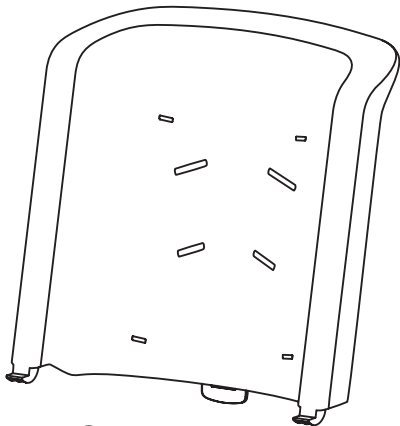
- The seat can tip backwards and fall from the high chair frame if you unlatch the booster release with your child in it. **DO NOT** use this product until you have installed the brackets on the high chair frame.
- The seat back can detach from the seat bottom if it is not completely snapped in place. **DO NOT** use this product until you have properly installed the seat back to the seat bottom and re-installed the restraint system properly on the seat.

Kit Parts

Tool needed for installation: Phillips Screwdriver (not included).

CAUTION

This kit contains small parts in it's unassembled state.
Adult assembly is required.



Seat Back



Left and Right Brackets



#8 x 3/4" (1,9 cm) Screw - 2
(The screw is shown actual size.)

Fisher-Price

Installation Instructions

3-in-1 High Chair to Booster™
Model Number P5369 and P6028

WARNING

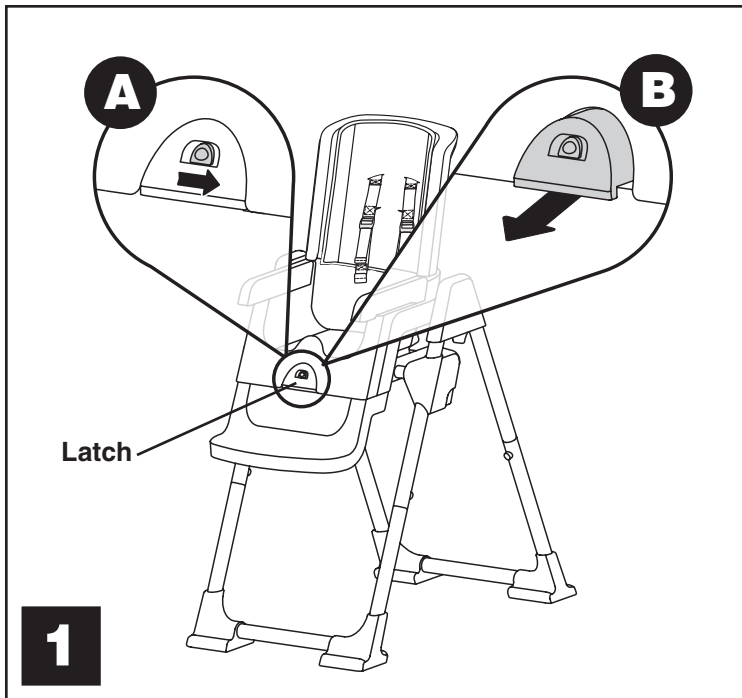
FALL HAZARD

- The seat can tip backwards and fall from the high chair frame if you unlatch the booster release with your child in it. **DO NOT** use this product until you have installed the brackets on the high chair frame.
- The seat back can detach from the seat bottom if it is not completely snapped in place. **DO NOT** use this product until you have properly installed the seat back to the seat bottom and re-installed the restraint system properly on the seat.

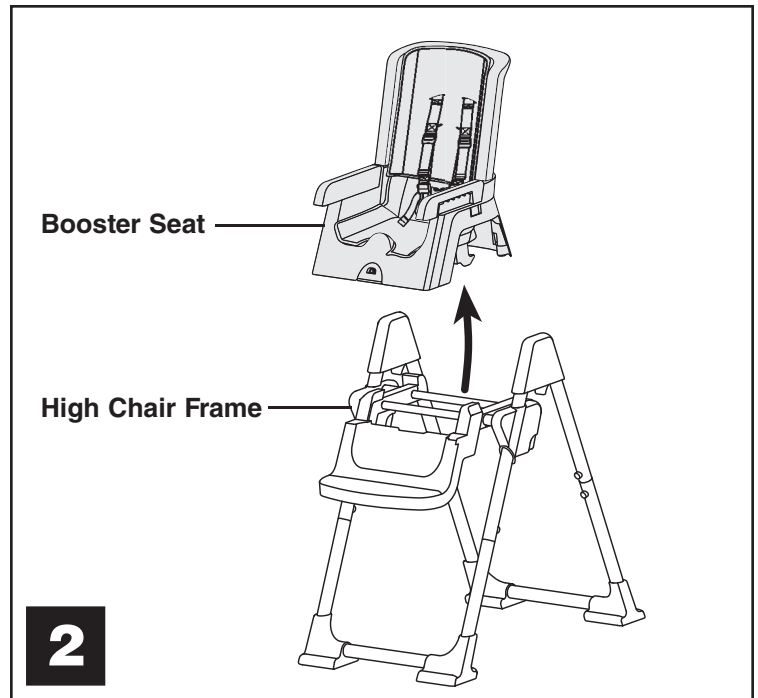
Instruction Sheet

IMPORTANT! Enclosed is a new seat back, left and right brackets and extra fasteners for assembly. Please follow these instructions carefully.

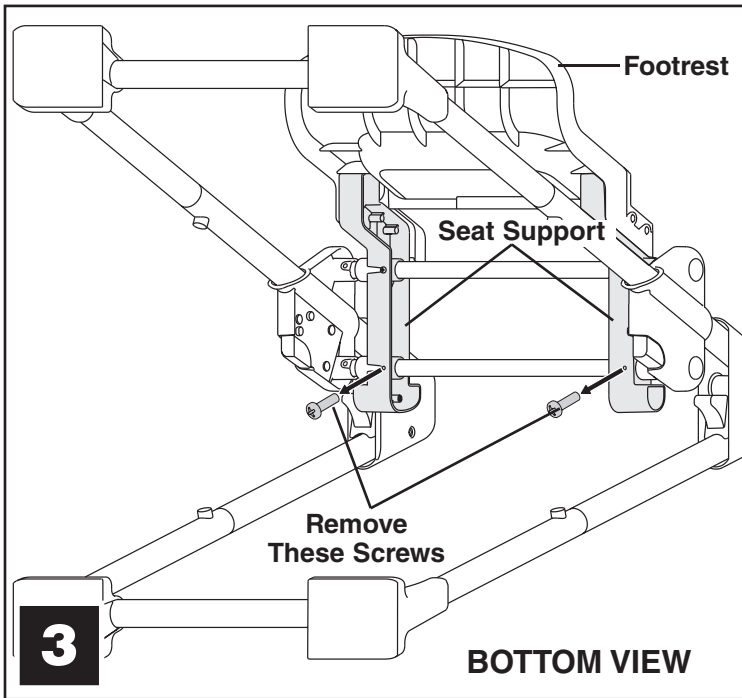
Bracket Installation Instructions



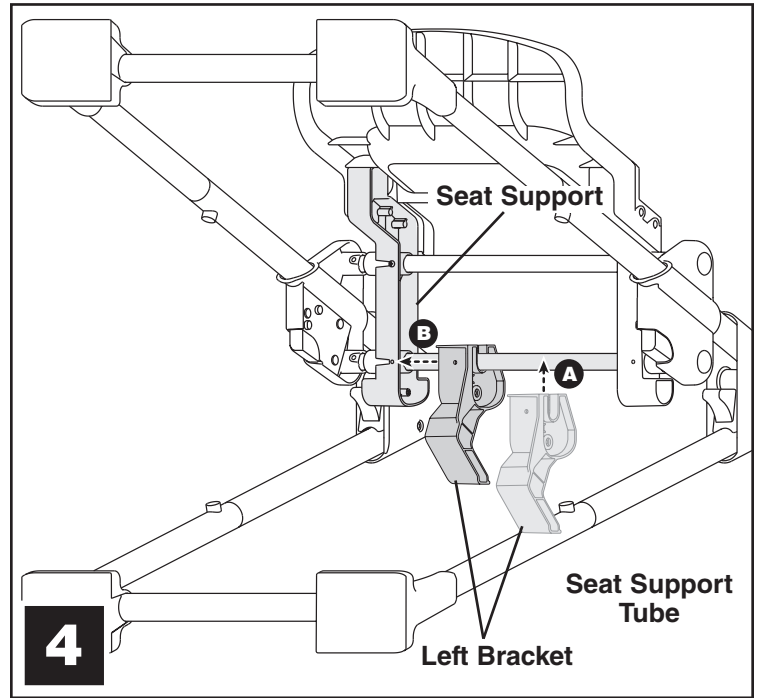
- **REMOVE** your child from the seat.
- While sliding the switch **A**, pull the latch toward you **B**.



- Lift the seat off of the high chair frame.
- Set the seat aside for seat back installation.



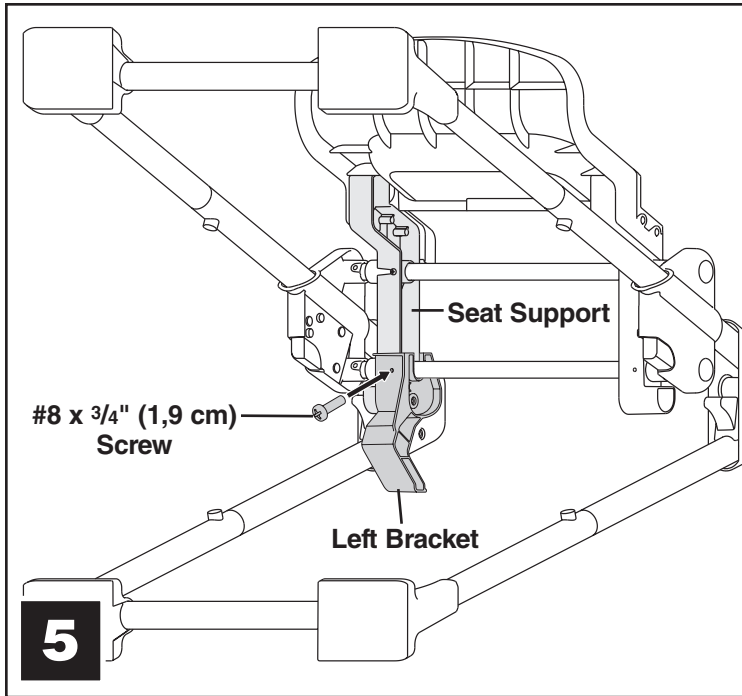
- Turn the high chair frame over. Position it so that the footrest is facing away from you.
- Remove the screws, furthest from the footrest, in the seat support.



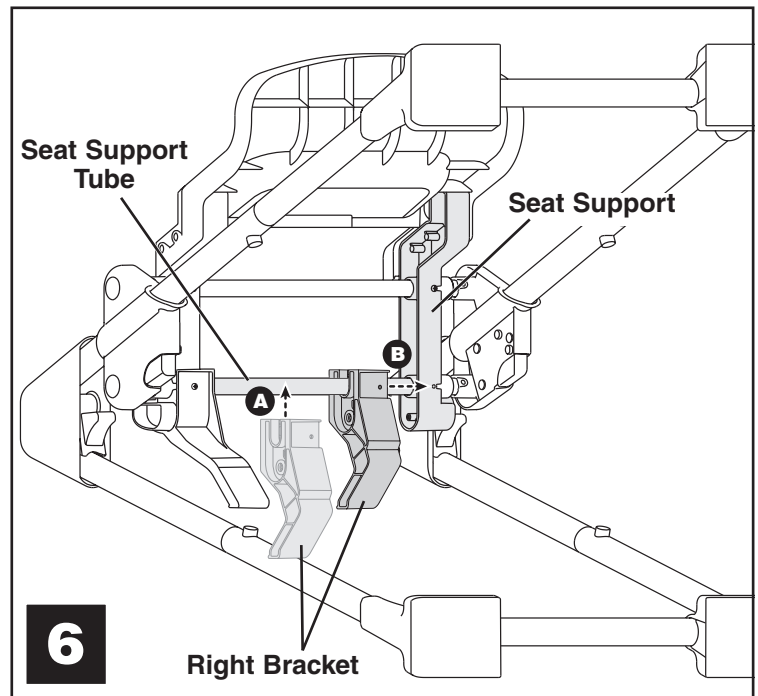
- First, fit the slot on the left bracket (labeled 1) onto the seat support tube closest to you **A**.
- Then, slide the left bracket completely onto the seat support **B**.

Hint: The brackets are designed to fit each side of the seat support one way.

Bracket Installation Instructions

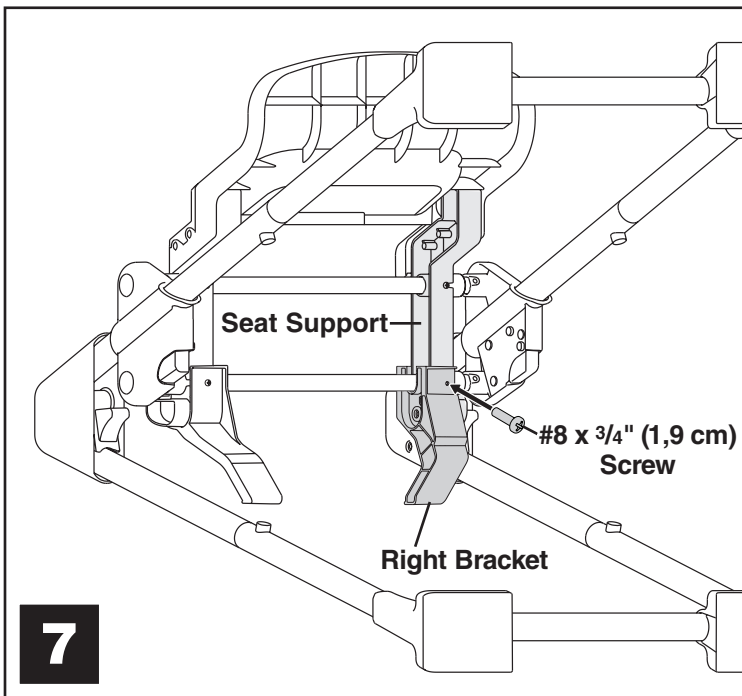


- Push to align the hole in the left bracket with the hole in the seat support.
- Insert a #8 x 3/4" (1,9 cm) screw (provided in this kit) through the left bracket and into the seat support. Tighten the screw with a Phillips screw-driver. Do not over-tighten.



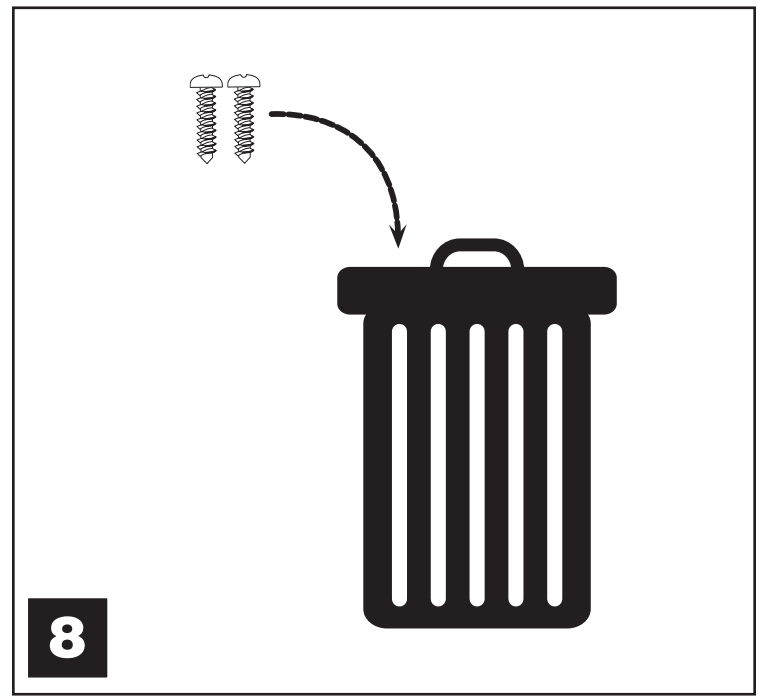
- First, fit the slot on the right bracket (labeled 2) onto the seat support tube closest to you **A**.
- Then, slide the right bracket completely onto the seat support **B**.

Hint: The brackets are designed to fit each side of the seat support one way.



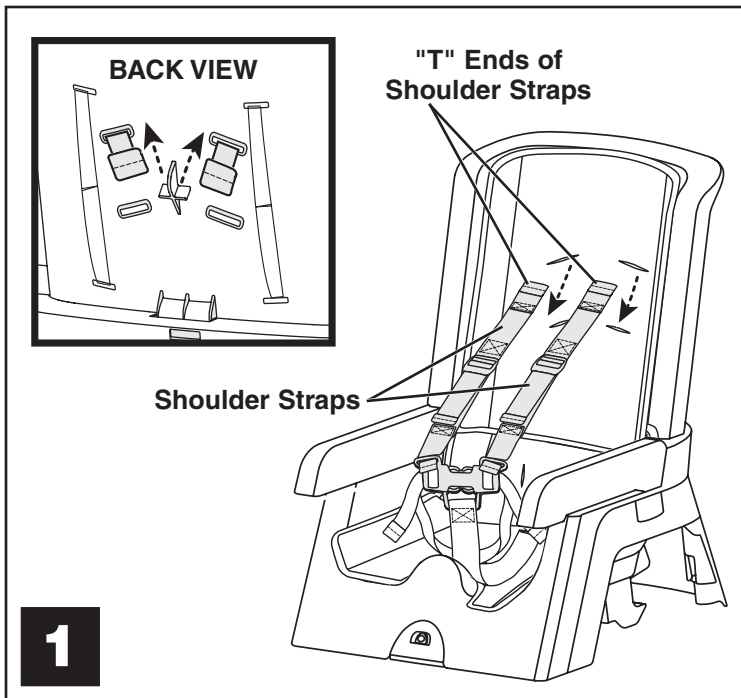
- Push to align the hole in the right bracket with the hole in the seat support.
- Insert a #8 x 3/4" (1,9 cm) screw (provided in this kit) through the right bracket and into the seat support. Tighten the screw with a Phillips screw-driver. Do not over-tighten.

Bracket installation is now complete.

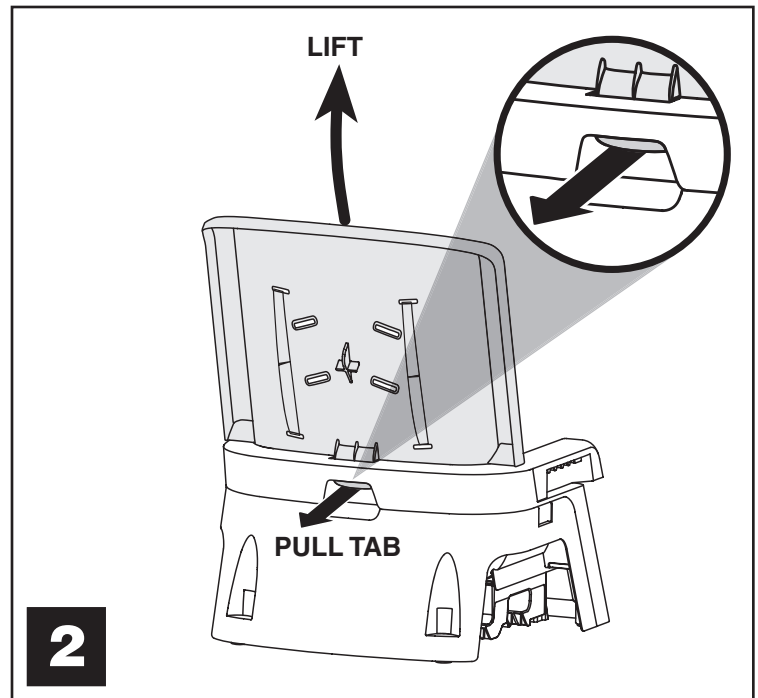


- For your convenience this kit includes extra screws (just in case you misplace the screws removed in step 3). If after assembling the brackets you have extra screws, dispose of them in the garbage.

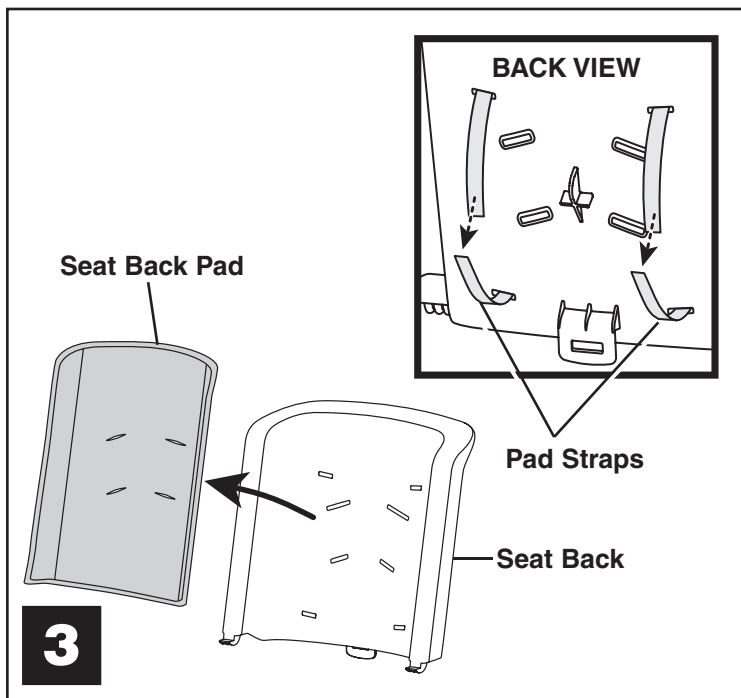
Seat Back Installation Instructions



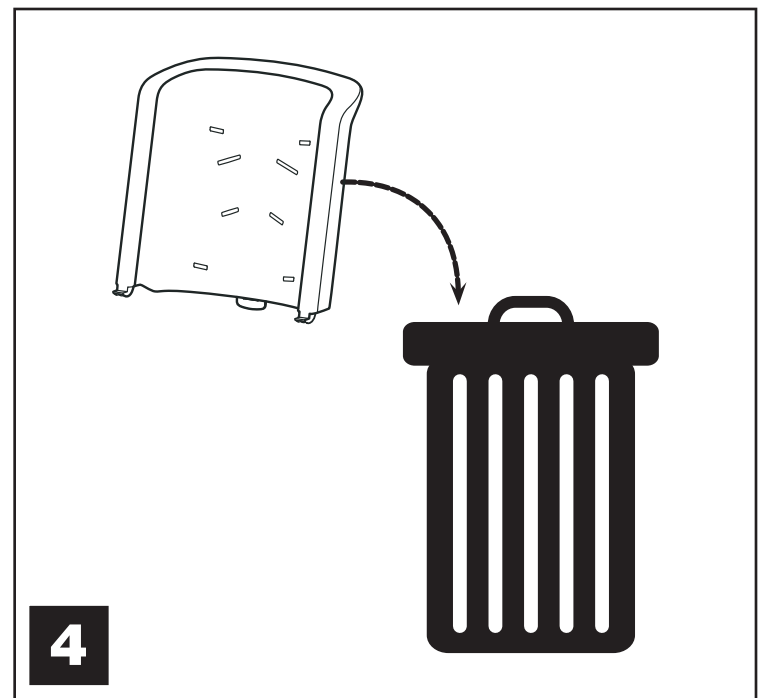
- From behind the seat, push the "T" ends of the shoulder straps through the slots in the seat back.



- **Pull** the tab on the seat back. **Lift** to remove the seat back from the seat.

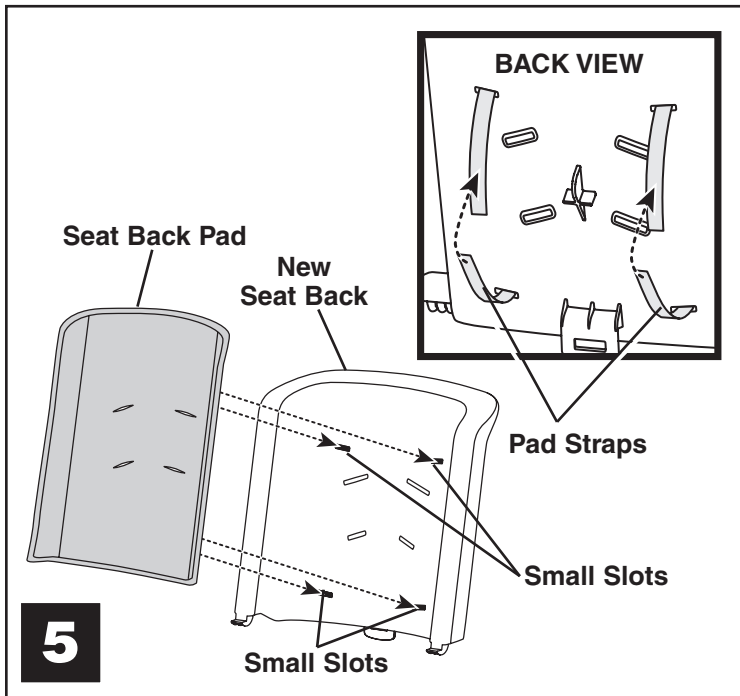


- From behind the seat back, unfasten the pad straps.
- Remove the seat back pad from the seat back.
- Set the seat back pad aside.

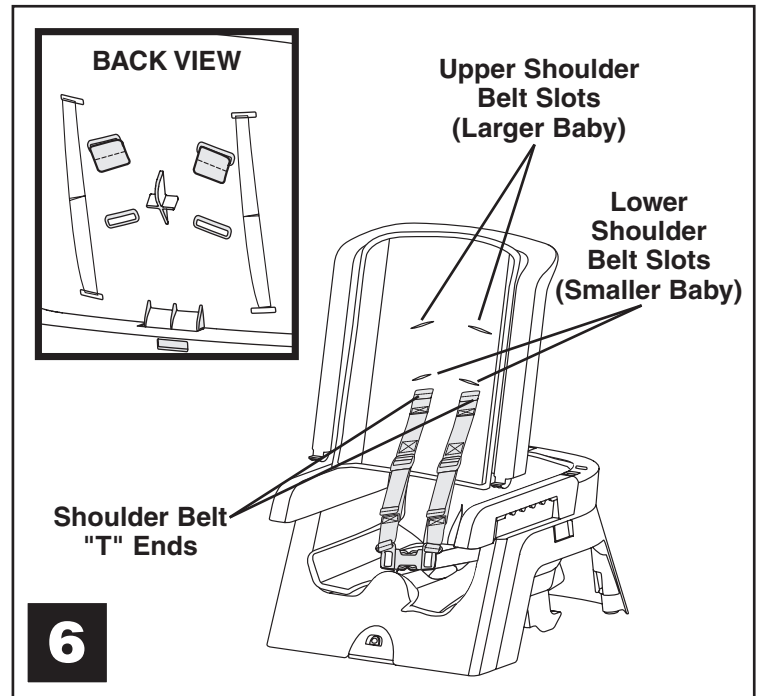


- Dispose of the seat back in the garbage.

Seat Back Installation Instructions



- Fit the straps on the back of the seat back pad into the **small** slots in the new seat back.
- Press to fasten the pad straps and secure the seat back pad to the new seat back.

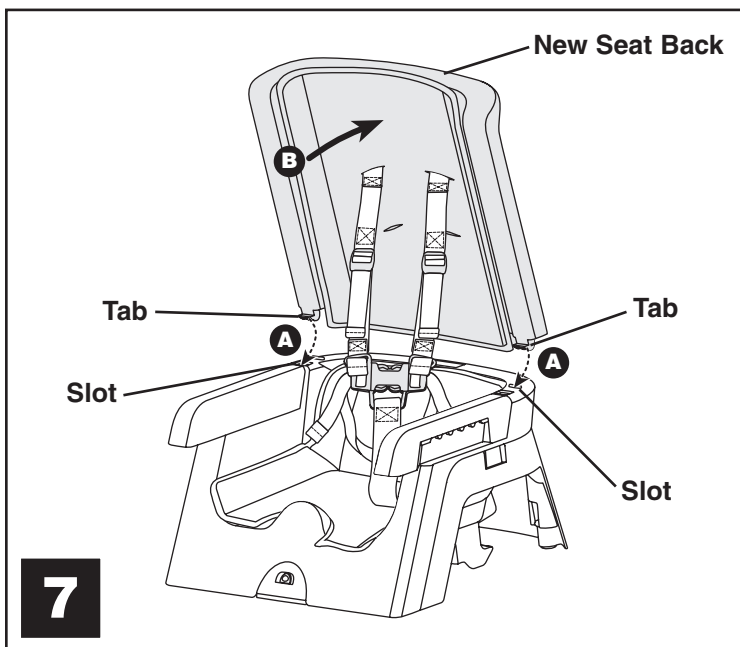


Smaller Baby

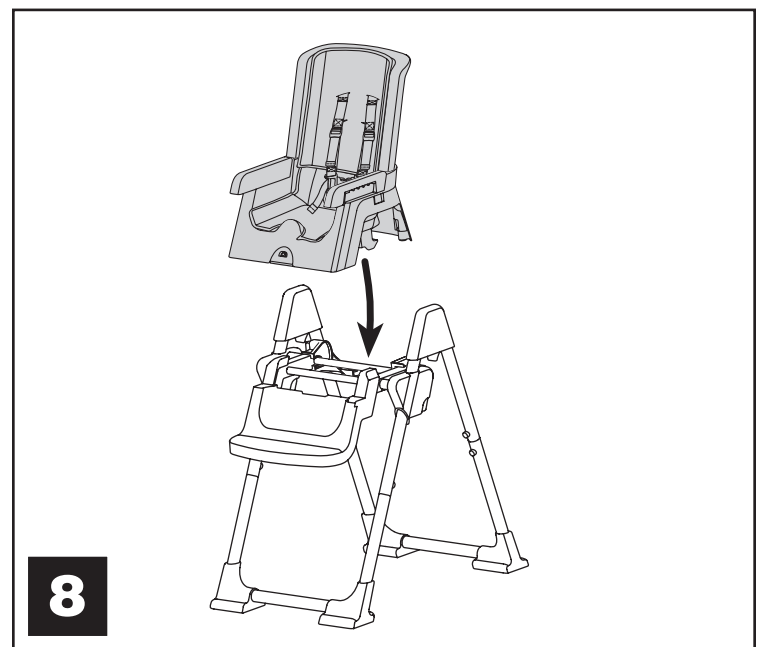
- Insert the "T" ends of the shoulder belts through the lower slots in the pad and seat back. Pull on the shoulder belts to be sure they are secure.

Larger Baby

- Insert the "T" ends of the shoulder belts through the upper slots in the pad and seat back. Pull on the shoulder belts to be sure they are secure.



- At an angle, fit the tabs on the new seat back into the slots in the seat **A**.
 - Push the seat back to "**snap**" in place **B**.
- IMPORTANT! Pull on the seat back to be sure it is secure to the seat bottom. Seat back installation is now complete**



- Turn the high chair frame upright and replace the seat on the high chair frame.
- Push the seat to lock in place. You should hear a "**click**".

Consumer Information

United States

If you have further questions regarding the installation of the brackets or seat back, please call Fisher-Price® Consumer Relations at **1-888-683-6224**, 9 AM – 7 PM (EST) Monday through Friday and 11 AM – 5 PM (EST) Saturday. Hearing-impaired consumers using TTY/TDD equipment, please call 1-800-382-7470. Or, write to Fisher-Price® Consumer Relations, 636 Girard Avenue, East Aurora, New York 14052.

Great Britain

Vanwall Business Park, Maidenhead SL6 4UB.
Helpline: 01628 500303. www.service.mattel.com/uk.

Fisher-Price, Inc., a subsidiary of Mattel, Inc., East Aurora, NY 14052 U.S.A.
©2009 Mattel, Inc. All Rights Reserved. ® and ™ designate U.S. trademarks of Mattel, Inc.

PRINTED IN U.S.A.

P5369pr-0922